



ZENITH FIREARMS

ZF-5 SERIES PARTS

CATALOG  
PARTS

2024



# Table of Contents

<b>Compatibility Reference Guide</b> .....	<b>3</b>	<b>Sight Assemblies</b> .....	<b>26</b>
<b>Barrel Attachments</b> .....	<b>4</b>	<b>Front Sight Tower Assembly</b>	<b>27</b>
<b>Thread Protector</b> .....	<b>5</b>	<b>Rear Sight Assembly</b>	<b>28-29</b>
<b>Flash Hider Assembly</b>	<b>6</b>	<b>Bolt Carrier Group Assembly</b> .....	<b>30</b>
<b>Barrel &amp; Trunnion</b> .....	<b>7</b>	<b>Bolt Carrier Assembly</b>	<b>32</b>
<b>ZF-5</b>	<b>8</b>	<b>Bolt Carrier Assembly Parts</b>	<b>33</b>
<b>ZF5-P</b>	<b>9</b>	<b>Bolt Head Assembly</b>	<b>34</b>
<b>ZF5-T</b>	<b>10</b>	<b>Recoil Tube Assembly for ZF-5</b>	<b>35</b>
<b>ZF5-K</b>	<b>11</b>	<b>Recoil Tube Assembly for ZF5-P/T/K</b>	<b>36</b>
<b>MP5 SD</b>	<b>12</b>	<b>Trigger Group Assembly</b> .....	<b>37</b>
<b>ZF5-L</b>	<b>13</b>	<b>Safety Selector</b>	<b>39</b>
<b>Handguard</b> .....	<b>14</b>	<b>Grip House Assembly</b>	<b>40</b>
<b>Handguards</b>	<b>15</b>	<b>Trigger Pack Assembly</b>	<b>41-44</b>
<b>Receiver Parts</b> .....	<b>16</b>	<b>Trigger Group Assembly - ZF-5</b>	<b>45</b>
<b>Cocking Tube Body</b>	<b>17</b>	<b>Trigger Group Assembly - ZF5-P/T/K</b>	<b>46</b>
<b>Cocking Bearer Assembly - ZF-5</b>	<b>18</b>	<b>Magazine</b> .....	<b>47-48</b>
<b>Cocking Bearer Assembly - ZF5-P/T/K</b>	<b>19</b>	<b>Butt Cap &amp; Stocks</b> .....	<b>49</b>
<b>Cocking Tube End Cap Assembly</b>	<b>20</b>	<b>Butt Cap Polymer Body</b>	<b>50</b>
<b>Front Sight Lock Sleeve</b>	<b>21</b>	<b>Foldable Stock Assembly</b>	<b>51</b>
<b>Front Sight Tower Sling Hoop</b>	<b>22</b>	<b>A3 Retractable Stock</b>	<b>52</b>
<b>Stock Take Down Pin Assembly</b>	<b>22</b>	<b>Picatinny Rail Assemblies</b> .....	<b>53</b>
<b>Monolithic Magazine Catch Body</b>	<b>23</b>	<b>Picatinny Rail - ZF-5</b>	<b>54</b>
<b>Monolithic Magazine Release Assembly</b>	<b>24</b>	<b>Picatinny Rail - ZF5-P/T/K</b>	<b>55</b>
<b>Cocking Lever Assembly</b>	<b>25</b>	<b>Accessories</b> .....	<b>56</b>
		<b>Cases</b>	<b>57</b>
		<b>2-Point Sling</b>	<b>58</b>





# Zenith Firearms

The Zenith Firearms ZF-5 is the MP5 subgun-inspired, American-made, semi-automatic variant you've been looking for. It captures all of the best features of the MP5, including its roller-delayed blowback action, threaded barrel (compatible with flash hiders and other muzzle devices), and low recoil operation. It also sports a mil-spec 4150 CMV cold hammer-forged barrel.






The smooth-shooting ZF-5 also preserves the pistol caliber of the MP5 submachine gun and is built around the 9mm Parabellum cartridge. In addition to these American-made MP5-style semi-auto platforms, we also carry magazines, slings, cases, and other MP5 parts (both semi-auto and full-auto), as well as a variety of accessories.

Please visit our website at: [www.zenithfirearms.com](http://www.zenithfirearms.com) or contact us for quotes on quantity orders.

## OUR AFFILIATES



# Model Compatibility Reference Guide

<i>(Image)</i>	<i>Model</i>	<i>Features</i>	<i>Model Compatibility</i>
	ZF-5	8.9" Barrel Tri-lug & 1/2 x 28 rh threaded	MP5 SP5 HK94
	ZF5-P	5.8" Barrel Tri-lug & 1/2 x 28 rh threaded	MP5K PDW SP5K PDW SP89
	ZF5-T	5" Barrel 1/2 x 28 rh threaded	MP5K SP5K
	ZF5-K	4.6" Barrel Crowned	MP5K SP5K
	ZF5-L	16" Barrel Tri-lug & 1/2 x 28 rh threaded	SP5L



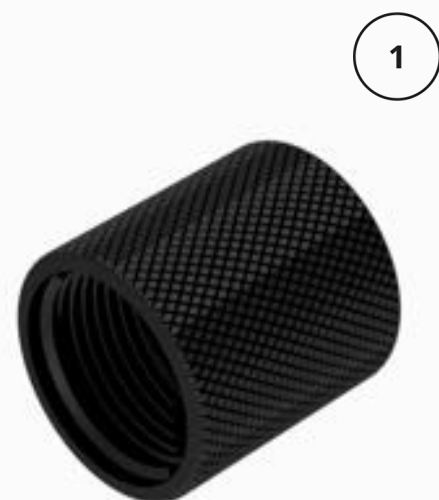
# Barrel Attachments





# Thread Protector

#	SKU	Description	Finish	Model
1	ZF5U01401	Thread Protector	Black Oxide	ZF-5 & ZF5-P/T





# Flash Hider Assembly



#	SKU	Description	Finish	Model
1	ZF5U01100	Flash Hider Assembly	-	ZF-5 & ZF5-P
2	ZF5U01101	Flash Hider Body	Parkerized	
3	ZF5U01104	Flash Hider Grooved Pin	-	
4	ZF5U01102	Flash Hider Locking Piece	Parkerized	
5	ZF5U01103	Flash Hider Locking Piece Spring	-	



# Barrel & Trunnion







# Barrel & Trunnion

## ZF-5



#	SKU	Description	Finish	Model
1	ZF5F02000	Barrel & Trunnion Assembly	-	ZF-5
2	ZF5F02101	Barrel	FNC	ZF-5
3	ZF5F02102	Trunnion	-	ZF-5
4	ZF5U02103	Barrel Lock Pin	-	ZF-5 & ZF5-P/T/K

### NOTES

1. Zenith barrels are cold hammer forged for longevity.



# Barrel & Trunnion

## ZF5-P



#	SKU	Description	Finish	Model
1	ZF5P02000	Barrel & Trunnion Assembly	-	ZF5-P
2	ZF5P02101	Barrel	FNC	ZF5-P
3	ZF5K02102	Trunnion	-	ZF5-P/T/K
4	ZF5U02103	Barrel Lock Pin	-	ZF-5 & ZF5-P/T/K

### NOTES

1. Zenith barrels are cold hammer forged for longevity.



# Barrel & Trunnion

## ZF5-T



#	SKU	Description	Finish	Model
1	ZF5T02000	Barrel & Trunnion Assembly	-	ZF5-T
2	ZF5T02101	Barrel	FNC	ZF5-T
3	ZF5K02102	Trunnion	-	ZF5-P/T/K
4	ZF5U02103	Barrel Lock Pin	-	ZF-5 & ZF5-P/T/K

### NOTES

1. Zenith barrels are cold hammer forged for longevity.



# Barrel & Trunnion

## ZF5-K



#	SKU	Description	Finish	Model
1	ZF5K02000	Barrel & Trunnion Assembly	-	ZF5-K
2	ZF5K02101	Barrel	FNC	ZF5-K
3	ZF5K02102	Trunnion	-	ZF5-K
4	ZF5U02103	Barrel Lock Pin	-	ZF-5 & ZF5-P/T/K

### NOTES

1. Zenith barrels are cold hammer forged for longevity.



# Barrel & Trunnion MP5 SD



#	SKU	Description	Finish	Model
1	ZF5S02000	Barrel & Trunnion Assembly	-	MP5 SD
2	ZF5S02101	Barrel	FNC	MP5 SD
3	ZF5F02102	Trunnion	-	ZF-5
4	ZF5U02103	Barrel Lock Pin	-	ZF-5

## NOTES

1. Zenith barrels are cold hammer forged for longevity.



# Barrel & Trunnion

## ZF5-L



#	SKU	Description	Finish	Model
1	ZF5L02000	Barrel & Trunnion Assembly	-	ZF5-L
2	ZF5L02101	Barrel	FNC	ZF5-L
3	ZF5F02102	Trunnion	-	ZF-5
4	ZF5U02103 12	Barrel Lock Pin – 5.25mm	-	ZF-5 & ZF5-P/T/K

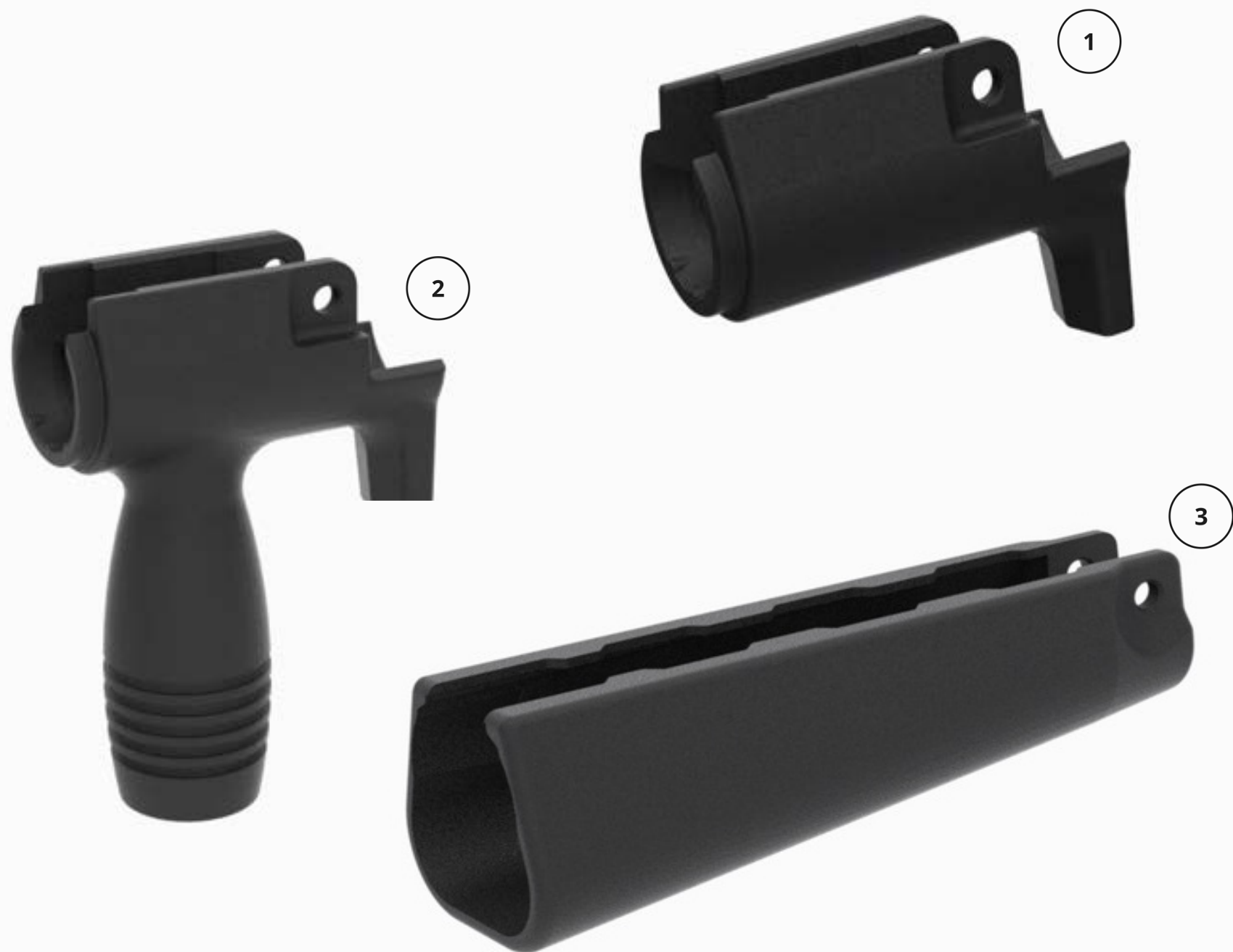
### NOTES

1. Zenith barrels are cold hammer forged for longevity.



# Handguard





# Handguard Body

#	SKU	Description	Finish	Model
1	ZF5K03101	Forearm Body (Semi Auto)	Carbonfiber Reinforced Polymer	ZF5-P/T/K
2	ZF5K03101AT	Forearm Body (Full Auto)	Carbonfiber Reinforced Polymer	ZF5-P/T/K
3	ZF5F03101	Handguard Body-Tropical	Carbonfiber Reinforced Polymer	ZF-5





# Receiver Parts





# Cocking Tube Body



#	SKU	Description	Model
1	ZF5F04100	Cocking Tube Body	ZF-5
2	ZF5K04100	Cocking Tube Body	ZF5-P/T/K

## NOTES

1. Cocking tube body design is patented by Zenith Firearms.



# Cocking Bearer Assembly

## ZF-5



#	SKU	Description	Finish	Model
1	ZF5F04002	Cocking Bearer Assembly	-	ZF-5
2	ZF5F04104	Cocking Bearer	Parkerized	ZF-5
3	ZF5F04203	Cocking Lever Spring	-	ZF-5
4	ZF5F04202	Cocking Tube Retaining Pin	Parkerized	ZF-5



# Cocking Bearer Assembly

## ZF5-P/T/K



#	SKU	Description	Finish	Model
1	ZF5K04002	Cocking Bearer Assembly	-	ZF5-P/T/K
2	ZF5K04104	Cocking Bearer	Parkerized	ZF5-P/T/K
3	ZF5K04203	Cocking Lever Spring	-	ZF5-P/T/K
4	ZF5K04202	Cocking Tube Retaining Pin	Parkerized	ZF5-P/T/K



# Cocking Tube End Cap Assembly

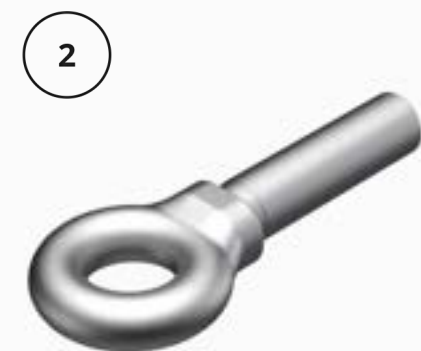


#	SKU	Description	Finish
1	ZF5U01300	Cocking Tube End Cap Assembly	-
2	ZF5U01301	Cocking Tube End Cap Body	Parkerized
3	ZF5U01303	Cocking Tube End Cap Spring	-
4	ZF5U01302	Cocking Tube End Cap Detent Pin	Parkerized



## Front Sight Lock Sleeve

#	SKU	Description	Finish
1	ZF5U01001	Front Sight Lock Sleeve	Sandblasted



## Front Sight Tower Sling Hoop

#	SKU	Description
2	ZF5U01205	Front Sight Tower Sling Hoop



# Stock Take Down Pin Assembly



#	SKU	Description	Finish
1	ZF5F13300	Stock Take Down Pin Assembly	FNC
2	ZF5U3200	Forearm/Grip House Takedown Pin Assembly	FNC



# Monolithic Magazine Catch Body



#	SKU	Description	Finish	Model
1	ZF5U08100	Monolithic Magazine Catch Body	FNC	ZF-5 & ZF5-P/T/K





# Monolithic Magazine Release Assembly



#	SKU	Description	Finish	Model
1	ZF5U08100	Monolithic Magazine Release Set	Parkerized	ZF-5 & ZF5-P/T/K



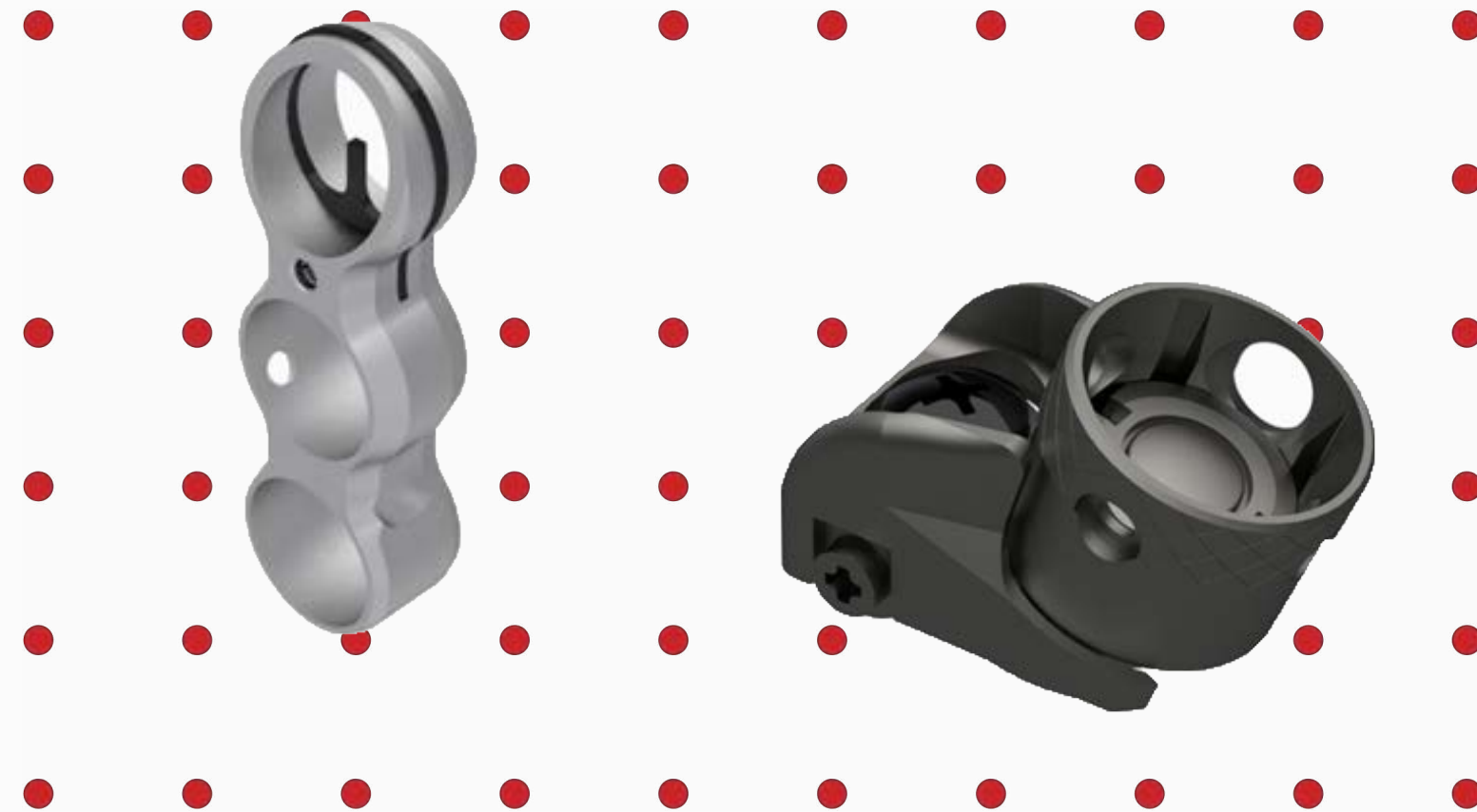
# Cocking Lever Assembly



#	SKU	Description	Model
1	ZF5U04200	Cocking Lever Assembly	ZF-5 & ZF5-P/T/K
2	ZF5U04204	Split Pin	



# Sight Assemblies





# Front Sight Tower Assembly



#	SKU	Description	Finish
1	ZF5U01200	Front Sight Tower	-
2	ZF5U01201	Front Sight Tower Body	Sandblasted
3	ZF5U01203	Front Sight Split Pin	Black Oxide
4	ZF5U01202	Front Sight Tower Insert	Parkerized



# Rear Sight Assembly

#	SKU	Description	Finish
1	ZF5F07100	Rear Sight Assembly	-
2	ZF5U07103	Rear Sight Rivet	Parkerized
3	ZF5U07102	Drum	Parkerized
4	ZF5U07105	Sight Retaining Pin	Parkerized
5	ZF5U07106	Sight Retaining Pin Spring	-
6	ZF5U07104	Drum Nut	Parkerized
7	ZF5U07101	Rear Bearer	Parkerized
8	ZF5U07108	Sight Ball	-
9	ZF5U07107	Sight Ball Spring	-



# Rear Sight Assembly

#	SKU	Description	Finish
10	ZF5U07109	Sight Bearer Phillip Head Screw	Black Oxide
11	ZF5U07111	Sight Washer	Black Oxide
12	ZF5U07112	Oval Sight Washer	Parkerized
13	ZF5U07110	Windage Adjustment Screw	Parkerized



# Bolt Carrier Group Assembly





# Bolt Carrier Group Assembly







# Bolt Carrier Assembly



#	SKU	Description	Finish	Model
1	ZF5F06001	Bolt Carrier Assembly	Parkerized	ZF-5 (Semi Auto)
2	ZF5F06001AT	Bolt Carrier Assembly (Full Auto)	Parkerized	ZF-5 (Full Auto)
3	ZF5K06001	Bolt Carrier Assembly	Parkerized	ZF5-P/T/K
4	ZF5K06001AT	Bolt Carrier Assembly (Full Auto)	Parkerized	ZF5-P/T/K (Full Auto)



## Bolt Carrier Assembly Parts



#	SKU	Description	Finish
1	ZF5U062012	Locking Piece – 100	-
2	ZF5U06202	Firing Pin	FNC
3	ZF5U06203	Firing Pin Spring	-

1. Upon request, Zenith Firearms can provide 80, 100, 110 ,115, or 120 degree locking piece configurations as well.





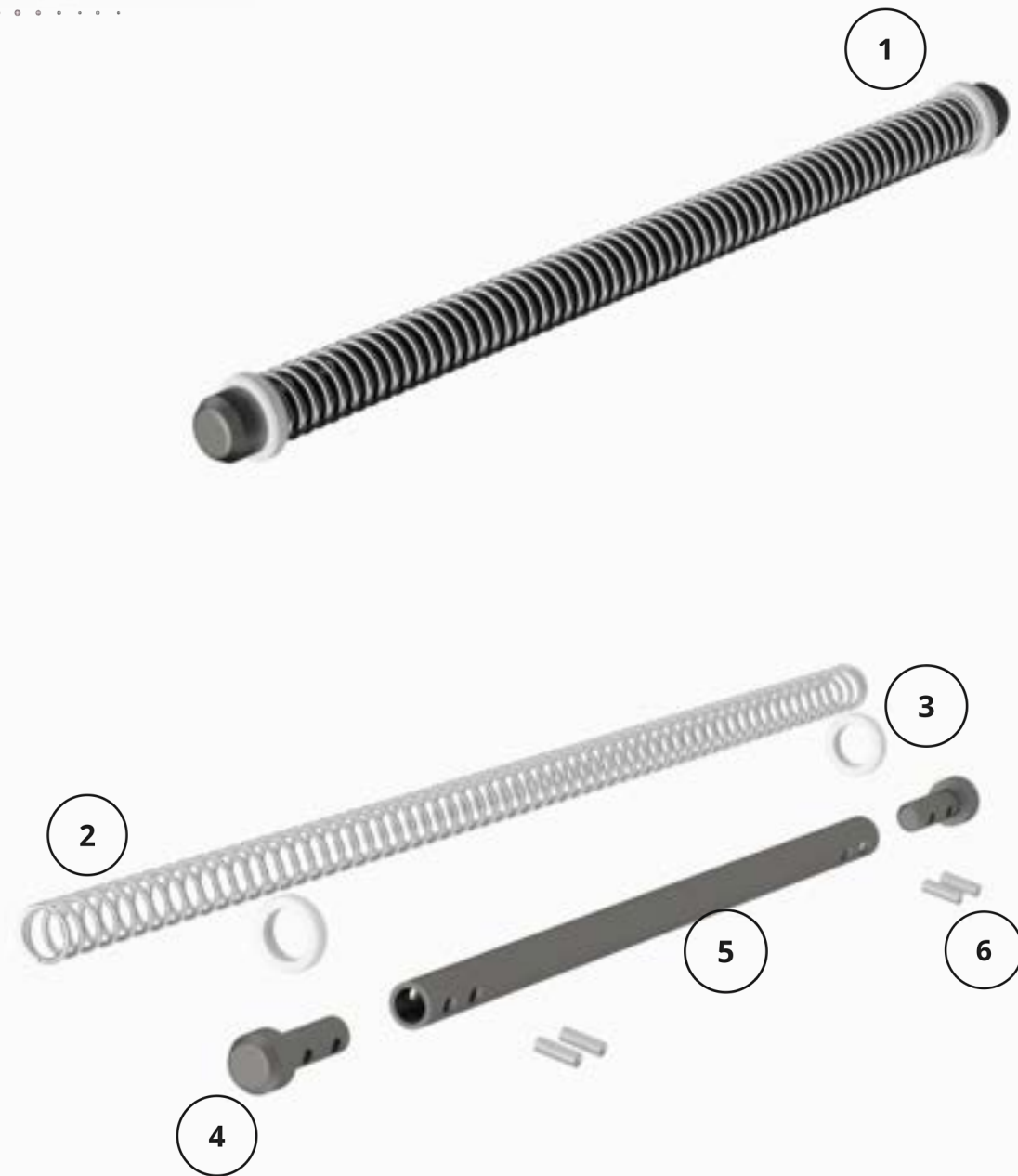
# Bolt Head Assembly



#	SKU	Description	Finish
1	ZF5U06300	Complete Bolt Head Assembly	-
2	ZF5U06307	Roller Holder Split Pin	Black Oxide
3	ZF5U06306	Roller Holder	Parkerized
4	ZF5U063041	Locking Rollers (2)	-
5	ZF5U06302	Extractor Spring	Copper
6	ZF5U06303	Extractor	Parkerized
7	ZF5U06301	Bolt Head Body	-



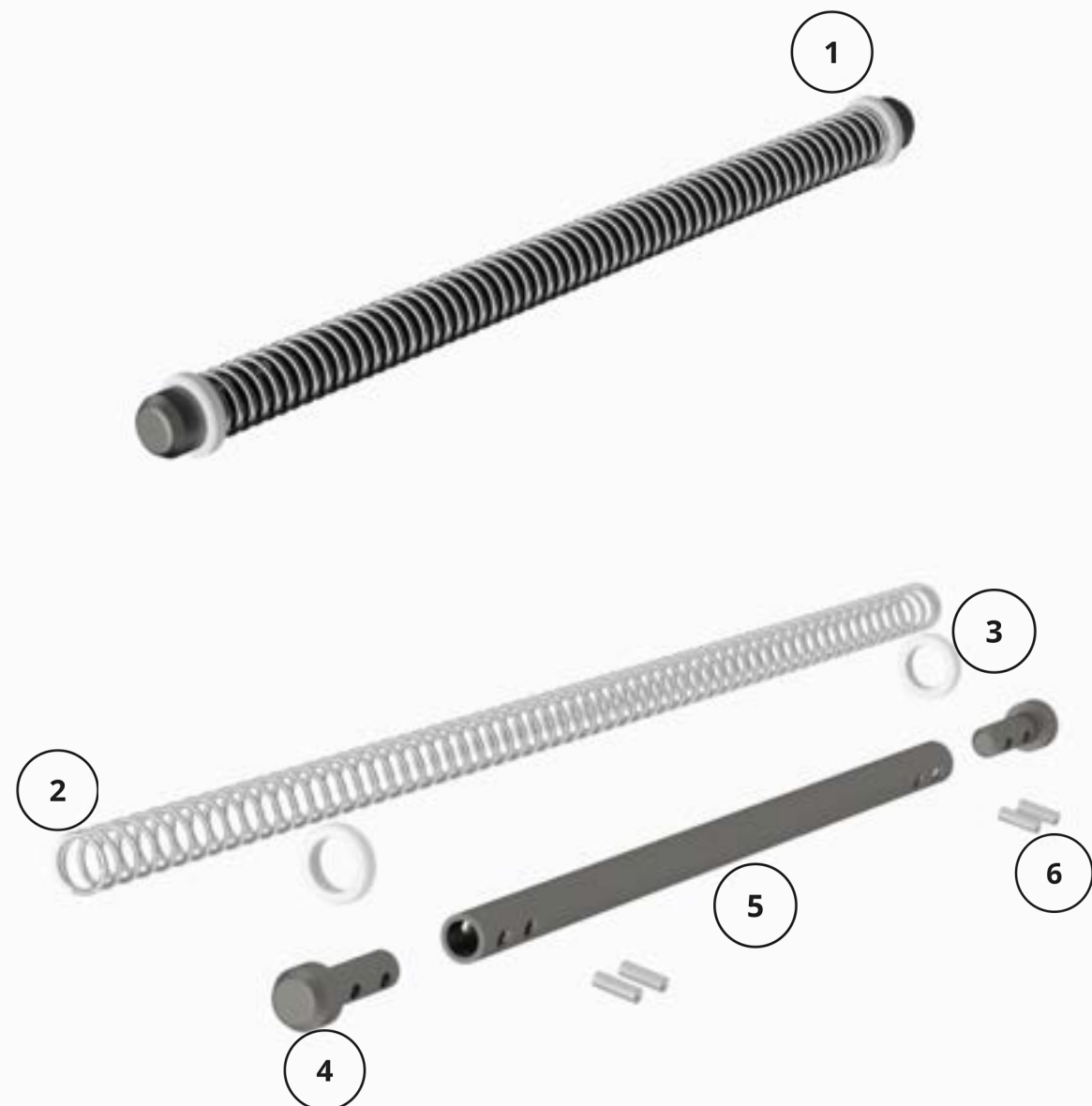
# Recoil Tube Assembly for ZF-5



#	SKU	Description	Finish	Model
1	ZF5F06400	Recoil Tube Assembly	-	ZF-5
2	ZF5F06401	Recoil Spring	-	ZF-5
3	ZF5U06406	Recoil Spring Tube Washer	-	
4	ZF5U06403	Recoil Locking Stop Pin	Parkerized	
5	ZF5F06404	Recoil Spring Tube	Parkerized	ZF-5
6	ZF5U06405	Recoil Spring Rivet	-	



# Recoil Tube Assembly for ZF5-P/T/K



#	SKU	Description	Finish	Model
1	ZF5K06400	Recoil Tube Assembly	-	ZF5-P/T/K
2	ZF5K06401	Recoil Spring	-	ZF5-P/T/K
3	ZF5U06406	Recoil Spring Tube Washer	-	
4	ZF5U06403	Recoil Locking Stop Pin	Parkerized	
5	ZF5K06404	Recoil Spring Tube	Parkerized	ZF5-P/T/K
6	ZF5U06405	Recoil Spring Rivet	-	



# Trigger Group Assembly





# Trigger Group Assembly





# Safety Selector

#	SKU	Description
1	ZF5U11200	Safety Lever Assembly-Magpul
2	ZF5U112001	Safety Lever Shaft Sub-Assembly
3	ZF5U11204	Selector Thumb – Right
4	ZF5U11205	Selector Screw
5	ZF5U11208	Selector Cover
6	ZF5U11206	Left Thumb-Short
7	ZF5U11207	Right Thumb-Long

## NOTES

1. The Magpul ESK (Enhanced Selector Kit)
2. Ambidextrous





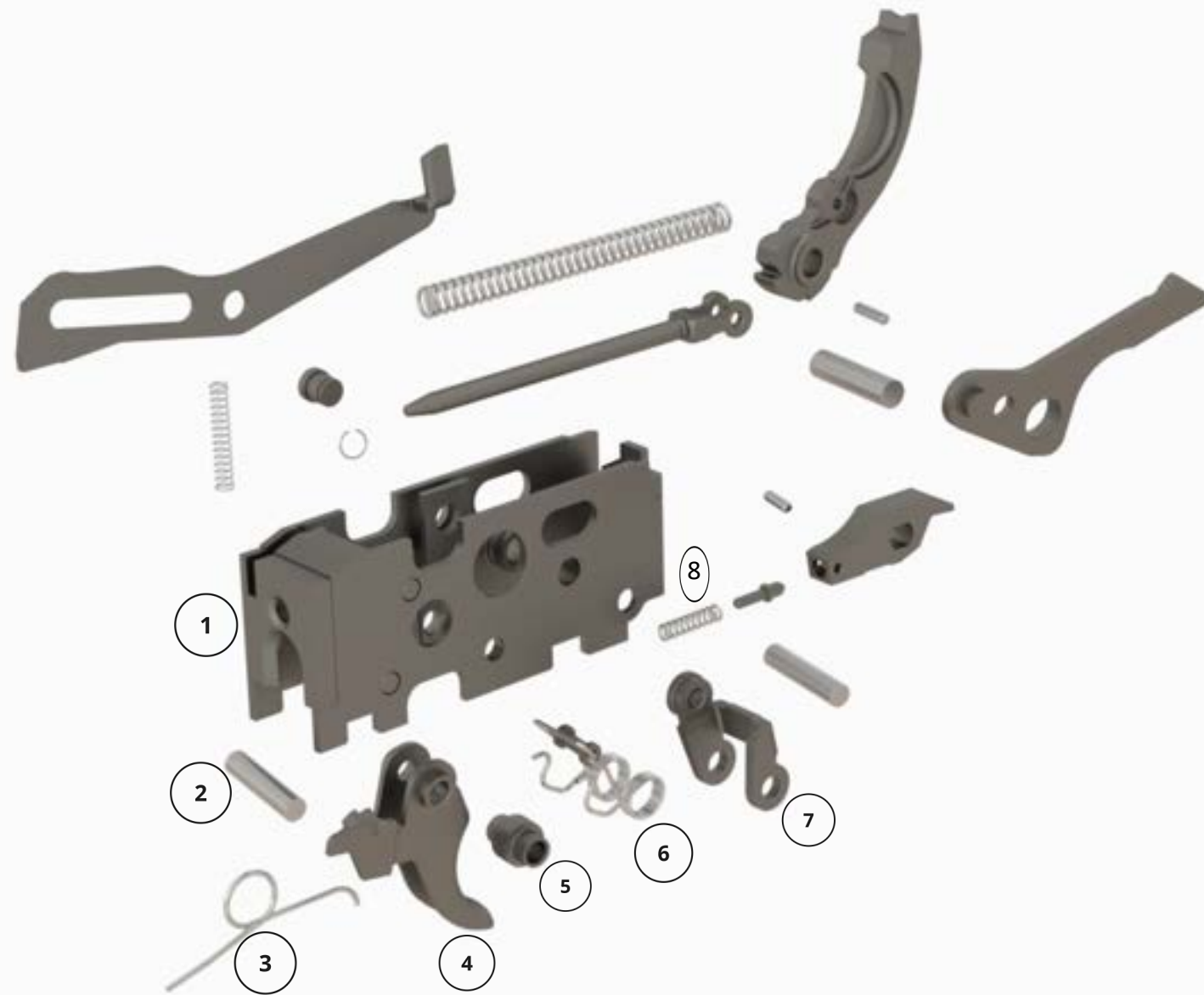


## Grip House Assembly

#	SKU	Description	Material	Model
1	ZF5K09100	Grip House Assembly	Carbonfiber Reinforced Polymer	ZF5-P/T/K
2	ZF5K09100AT	Grip House Assembly (Full Auto)	Carbonfiber Reinforced Polymer	ZF5-P/T/K (Full Auto)
3	ZF5F09100	Grip House Assembly	Carbonfiber Reinforced Polymer	ZF-5
4	ZF5F09100AT	Grip House Assembly (Full Auto)	Carbonfiber Reinforced Polymer	ZF-5 (Full Auto)



# Trigger Pack Assembly



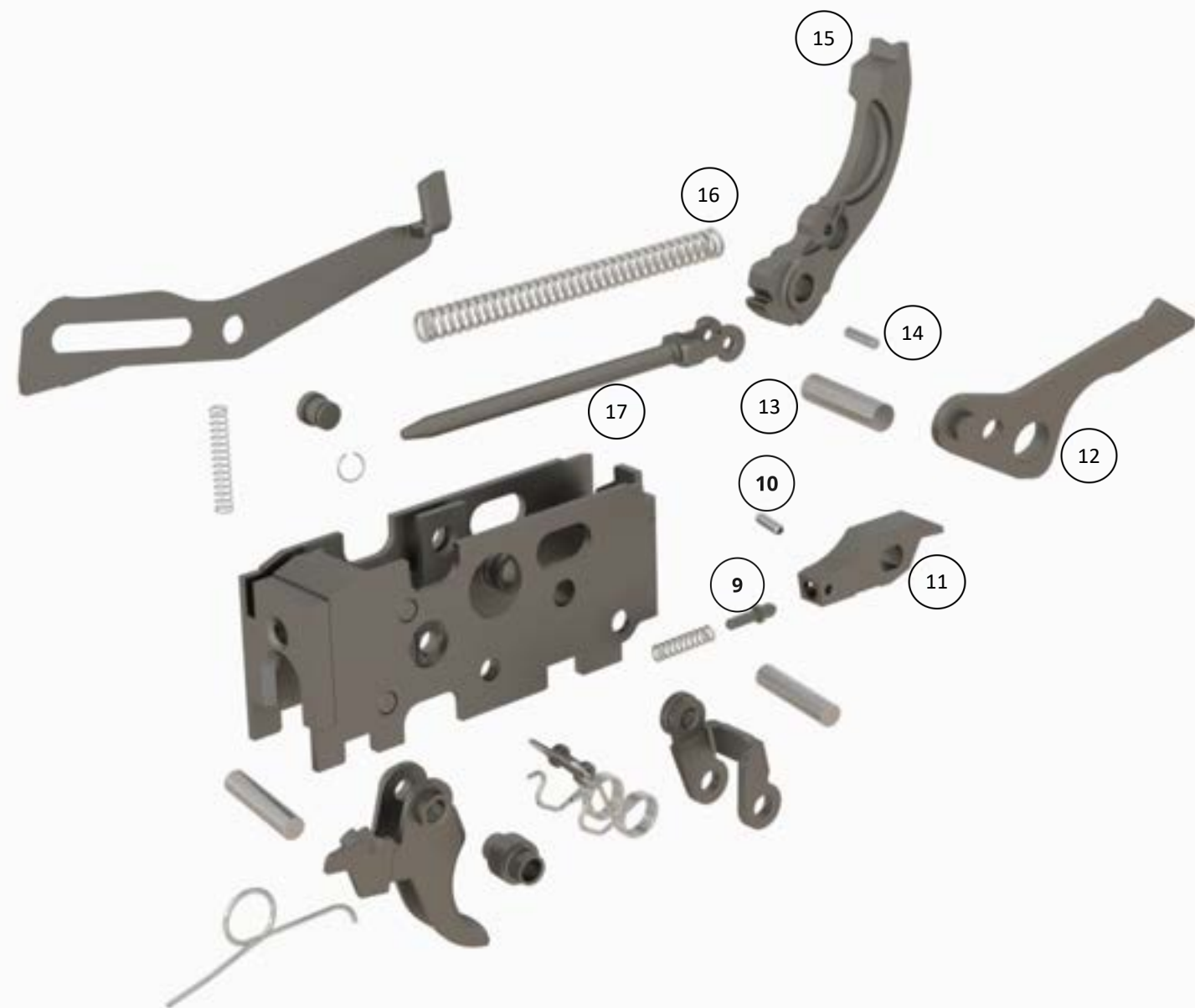
#	SKU	Description	Finish
1	ZF5U101001AT	Trigger Frame – Machined Assembly (Full Auto)	Parkerized
2	ZF5U10215	Sear Catch & Trigger Pin	-
3	ZF5U104021	Trigger Spring	-
4	ZF5U10400	Monolithic Trigger	FNC
5	ZF5U10213	Sear Catch Locking Pin Shell	Parkerized
6	ZF5U102004	Sear Catch Spring Assembly	-
7	ZF5U102003	Sear Catch Assembly	Parkerized
8	ZF5U10408	Trigger Crank Pin Spring	Black Oxide

## NOTES

1. Trigger frame is machined steel
2. Trigger frame's design is patented by Zenith Firearms
3. **Trigger Spring:** Zenith offers different trigger springs that allows various levels of trigger pull weight.



# Trigger Pack Assembly



#	SKU	Description	Finish
9	ZF5U10407	Trigger Crank Pin	Parkerized
10	ZF5U10409	Trigger Split Pin	Black Oxide
11	ZF5U10406	Trigger Crank	Parkerized
12	ZF5U103001AT	Monolithic Release Lever (Full Auto)	Parkerized
13	ZF5U10206	Hammer Pin	-
14	ZF5U10208	Hammer Guide Pin	-
15	ZF5U10205AT	Hammer (Full Auto)	Parkerized
16	ZF5U10209	Hammer Guide Spring	-
17	ZF5U10207	Hammer Guide	Parkerized

## NOTES

1. Trigger frame is machined steel
2. Trigger frame's design is patented by Zenith Firearms
3. **Trigger Spring:** Zenith offers different trigger springs that allows various levels of trigger pull weight.
4. Hammer: Zenith made hammers are manufactured from tool steel for longevity.



# Trigger Pack Assembly

#	SKU	Description	Finish
18	ZF5U10203	Ejector Locking Pin Body	FNC
19	ZF5U10204	Ejector Locking Pin Spring	-
20	ZF5U10201	Ejector	Parkerized
21	ZF5U10202	Ejector Spring	-

## NOTES

1. Trigger frame is machined steel
2. Trigger frame's design is patented by Zenith Firearms
3. **Trigger Spring:** Zenith offers different trigger springs that allows various levels of trigger pull weight.
4. Hammer: Zenith made hammers are manufactured from tool steel for longevity.



# Trigger Pack Assembly



1



2

#	SKU	Description
1	ZF5U10000	Trigger Pack Assembly (Semi Auto)
2	ZF5U10000AT	Trigger Pack Assembly (Full Auto – S/S/F)

## NOTES

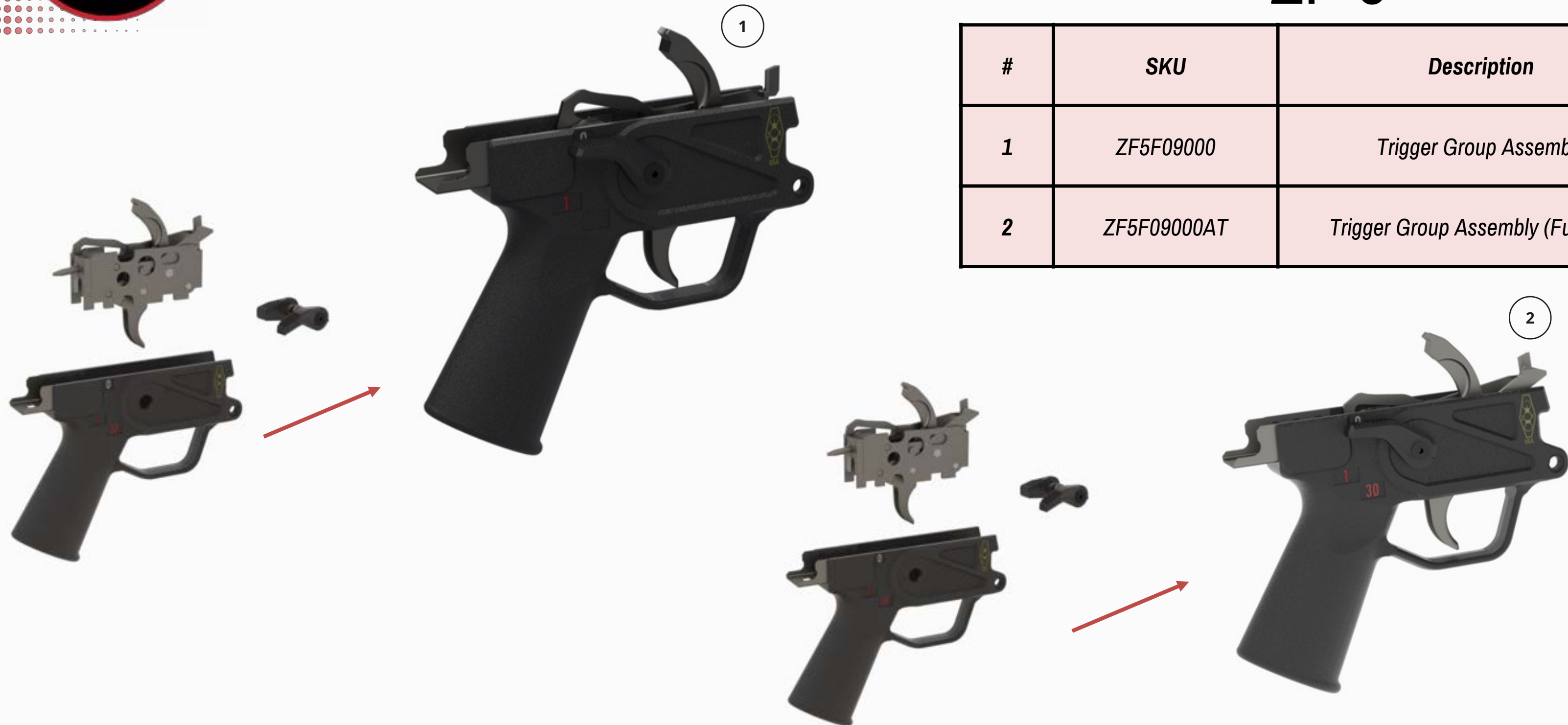
1. Trigger frame is machined steel
2. Trigger frame's design is patented by Zenith Firearms



# Trigger Group Assembly

## ZF-5

#	SKU	Description
1	ZF5F09000	Trigger Group Assembly
2	ZF5F09000AT	Trigger Group Assembly (Full Auto)





# Trigger Group Assembly

## ZF5-P/T/K

#	SKU	Description
1	ZF5K09000	Trigger Group Assembly
2	ZF5K09000AT	Trigger Group Assembly (Full Auto)





# Magazine







#	SKU	Description	Finish	Model
1	ZF5U140001	30-Round Magazine	Black Oxide	ZF-5 & ZF5-P/T/K



# Butt Cap & Stocks





# Butt Cap Polymer Body

#	SKU	Description	Finish	Model
1	ZF5F12100	Butt Cap Polymer Body	Carbonfiber Reinforced Polymer	ZF-5
2	ZF5K12100	Butt Cap Polymer Body	Carbonfiber Reinforced Polymer	ZF5-P/T/K





# Foldable Stock Assembly



#	SKU	Description	Finish	Model
1	ZF5F13400	Foldable Stock Assembly	Carbonfiber Reinforced Polymer	ZF-5
2	ZF5K13400	Foldable Stock Assembly	Carbonfiber Reinforced Polymer	ZF5-P/T/K
3	ZF5U13408	Release Button	Carbonfiber Reinforced Polymer	ZF-5 & ZF5-P/T/K
4	ZF5U13409	Release Spring	-	ZF-5 & ZF5-P/T/K



# A3 Retractable Stock Assembly

#	SKU	Description	Finish	Model
1	ZF5F13000	Retractable Stock Assembly		ZF-5





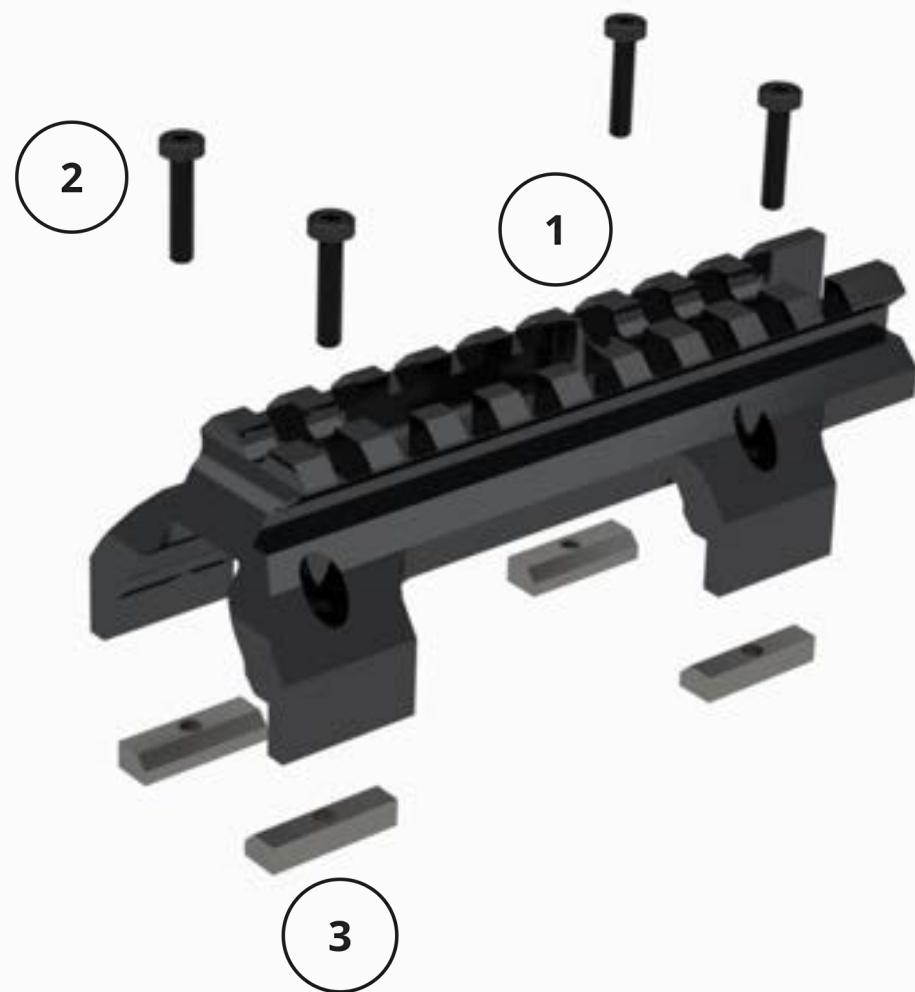
# Picatinny Rail Assemblies





# Picatinny Rail

#	SKU	Description	Finish	Model
1	ZF5F05207	Picatinny Rail Body	Black Oxide	ZF-5
2	ZF5U05208	Picatinny Rail Screw	Black Oxide	ZF-5 & ZF5-P/T/K
3	ZF5U05209	Picatinny Rail Retainer	Parkerized	ZF-5 & ZF5-P/T/K



# Picatinny Rail

#	SKU	Description	Finish	Model
1	ZF5K05207	Picatinny Rail Body	Black Oxide	ZF5-P/T/K
2	ZF5U05208	Picatinny Rail Screw	Black Oxide	ZF-5 & ZF5-P/T/K
3	ZF5U05209	Picatinny Rail Retainer	Parkerized	ZF-5 & ZF5-P/T/K





# Accessories





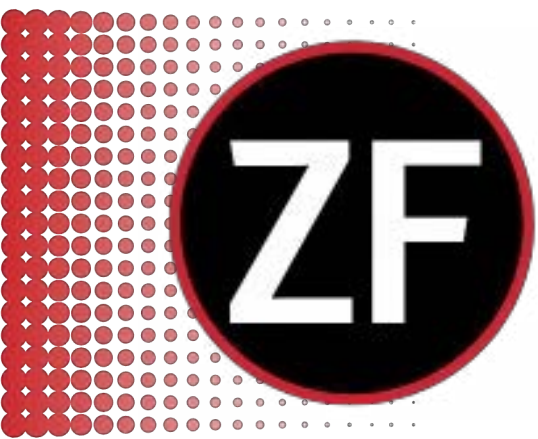
## Impact Resistant Hard Case

#	SKU	Description	Finish	Model
1	ZF5U17000	Carry Case	Polymer	ZF-5 & ZF5-P/T/K



## Soft Case

#	SKU	Description	Finish	Model
1	ZF5U17500	Carry Case		ZF-5 & ZF5-P/T/K



## 2-Point Sling

#	SKU	Description	Finish	Model
1	ZF5U15000	2-Point Sling		ZF-5 & ZF5-P/T/K

